



# 100.625

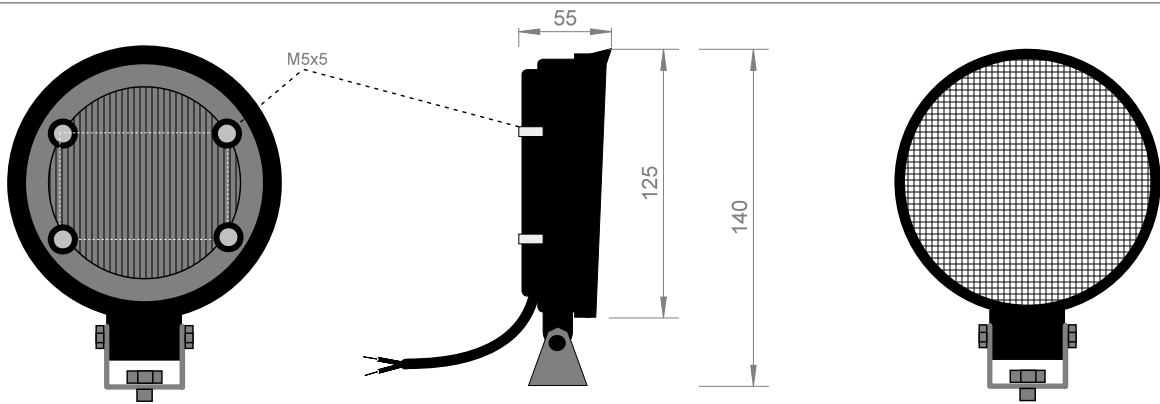
## LED

### Ultra Bright LED Worklamp

## 27 Watt



Brightness equivalent 150 Watt Halogen



### Light pattern



### Technical Data

Light Power	1800 ...2000 Lumens
Light source	9x3 Watt LED White aprox. 5500K
Lifespan	30,000 hrs
Total Watts	27
Voltage	10...30 Volt
Start Up Draw (Amps)	2,25 (12V) 1,2 (24V)
Running Draw (Amps)	2,25 (12V) 1,2 (24V)
Housing	Aluminium, black powder coating
Lens	Polycarbonate clear
Protection	IP-67
Connector	Wiring
Operating temperature	-40...+50 Deg.Celsius
Size	see drawing

### Options

Schwitch

Fuse

### Partnumber

VA100.625

LED Worklamp

TECHNICAL DETAILS FOR INFORMATION ONLY. 27032010