



# R37S-LED

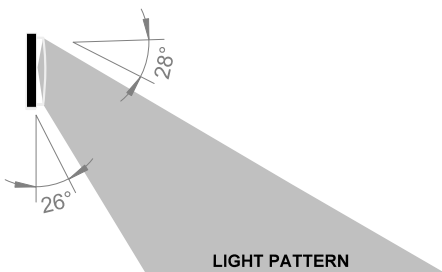
LED

LED Scenelight, 26 Degree Tilt

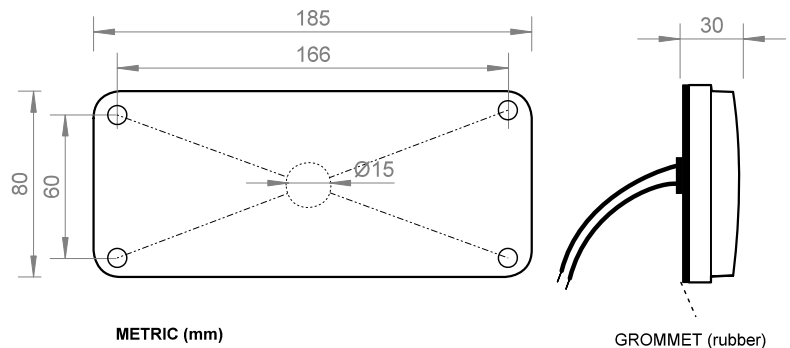
12 Watt



Brightness equivalent 30 Watt Halogen

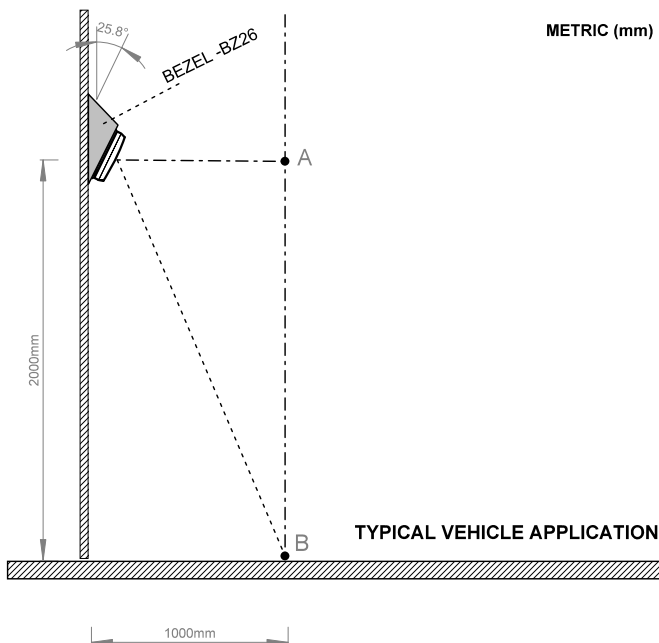


LIGHT PATTERN



METRIC (mm)

GROMMET (rubber)



TYPICAL VEHICLE APPLICATION

METRIC (mm)

## Technical Data

Light Power	A: 60 LUX B: 40 LUX
Bulb	LED, 4x 1,5 Watt
Total Watts	12
Voltage	11...32 Volt
Start Up Draw (Amps)	1 (12V) 0,6 (24V)
Running Draw (Amps)	1 (12V) 0,6 (24V)
Housing	Polycarbonate
Lens	Polycarbonate clear
Protection	IP-54
Connector	Wiring
Operating temperature	-30...+50 Deg.Celsius
Size	see drawing

## Options

Chrome Bezel

Bezel 26-degree

Bezel 45-degree

## Partnumber

R37S-LED

LED scene light, wallmount, 26 degree tilt

TECHNICAL DETAILS FOR INFORMATION ONLY. 27032010

